

3.1 MANUAL ADJUSTER for valves

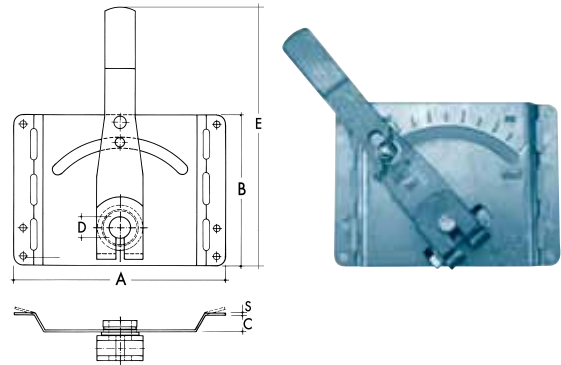
Manual adjuster for valves with counter bearings

3.1.6 MEZ-DAMPER VALVE FSH / heat resistant

with brass bearings, ideal for high operating temperatures – till max. +250°C

Product description:

- Lever using wing screw
- Fastening segment
- Clamping screw
- Ball bearing-equalising shim washer
- 2 units PVC bearing bush
- 2 units retaining rings



Art.-Nr.	Material	A	B	C	D Ø	E	S	Blade breadth	VPE units	Weight kg/unit
363	Galv. steel	140	100	10	10	165	1,5	700	1	0,360
363 E	Stainless steel	140	100	10	10	165	1,5	700	1	0,360

Individual customisation on request

Workmanship + Assembling:

- Ideal for rectangular and circular air duct systems
- Easy to assemble using a rivet on a four-point connection
- The bending point has been constructed to match to the different pipe forms

MEZ-AXLE

Art.-Nr.	Material	Ø mm	VPE	Weight kg/unit
375	Galv. steel	10	1	0,050

